

# BFB

Fixing base plate / Montaj alt plakası

This series includes the models compliant with automotive standards /  
Bu sayfadaki parçalar aşağıdaki otomotiv standartlarını karşılamaktadır

<b>BMW</b>	BZ 4009
<b>MB</b>	BB 0132 110 008 801
<b>Renault</b>	EM24.54.700

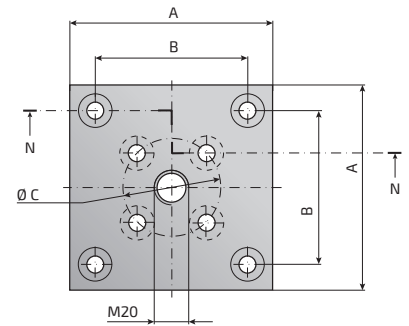
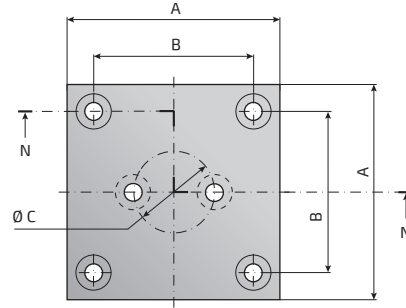
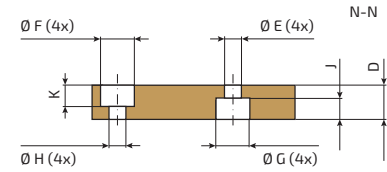
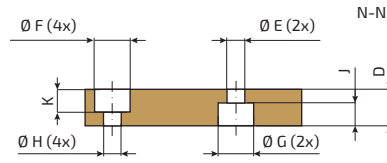


FIG. 1

FIG. 2

Model Model	Reference to Standards Referans standart	For models... Modeller için...	A mm	B mm	Ø C mm	D mm	Ø E mm	Ø F mm	Ø G mm	Ø H mm	J mm	K mm	FIG.
BFB 45	-	AGS750, IGS500, LGS500	70	50	20	20	9	15	15	9	12	12	1
50	-	AGS1000, AGS1500, IGS750, VV750	75	56.5	20	20	9	15	15	9	12	12	1
63	-	AGS1500	100	73.5	20	20	9	18	15	11	12	12	1
75	-	AGS1500, AGS2400, IGS1500, TGS5000, VV2385	100	73.5	40	20	9	18	15	11	12	14	2
95	-	AGS4200, IGS3000, VV2945	120	92	60	20	9	20	15	13.5	14	13	2
120	-	AGS6600, IGS5000	140	109.5	80	20	11	20	18	13.5	15	13	2
150	-	AGS9500, IGS7500	190	138	100	20	11	20	18	13.5	15	13	2
195	-	AGS20000, IGS10000	210	170	120	25	13.5	26	20	17.5	15	17	2

Fixing possibilities / Montaj olasılıkları

